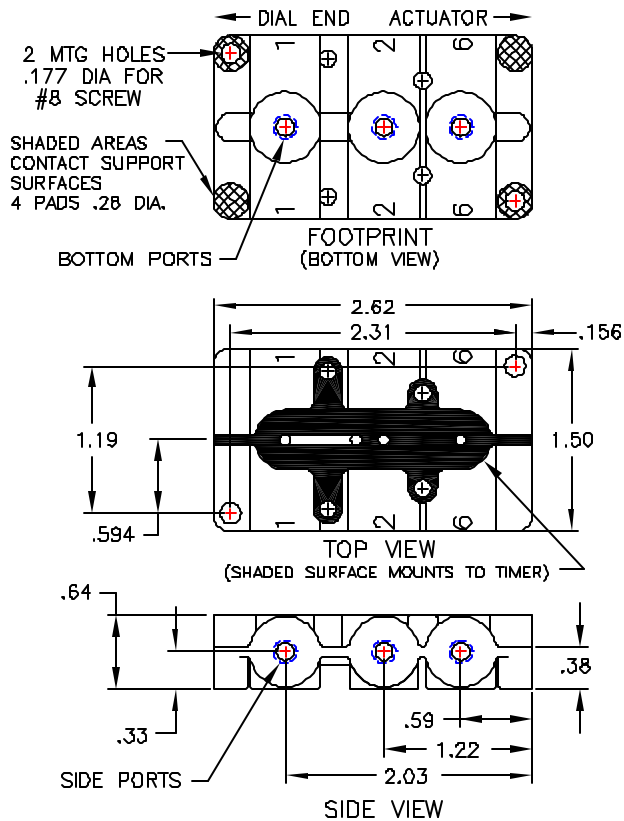


(OPTIONAL) SPA SERIES SUBPLATE-MANIFOLD



HOW TO ORDER:

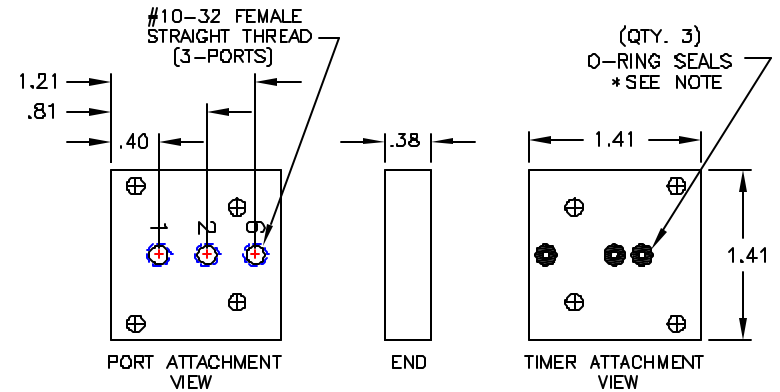
SPA 1 C

PRODUCT IDENTIFIER
 SPA = PMT Subplate
 Subplate
 Pneumatic
 Accessory

PORT TAPPING
 1 = #10-32 Female
 Straight Thread
 2 = 1/8" NPTF Female
 Pipe Thread

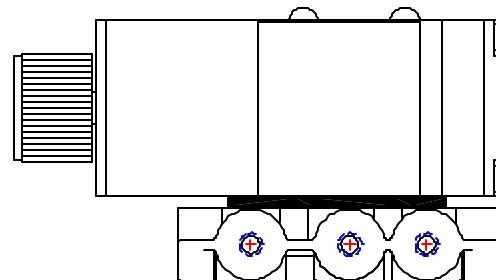
PORT LOCATIONS & NO. OF CONNECTIONS
 A = 3 bottom ports only
 B = 6 side ports only
 C = 6 side ports and 3 bottom ports

(OPTIONAL) MFD1A MANIFOLD

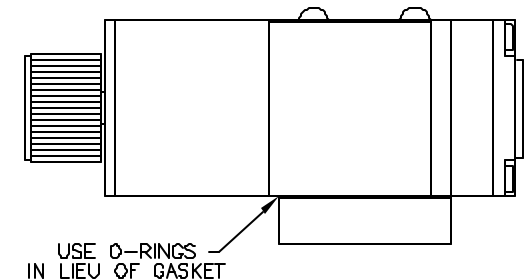


* NOTE: DISCARD SUBPLATE GASKET THAT IS SUPPLIED WITH TIMER WHEN USING THIS MANIFOLD. THE O-RING SEALS PROVIDED WITH MANIFOLD ARE TO BE USED IN LIEU OF THAT GASKET.

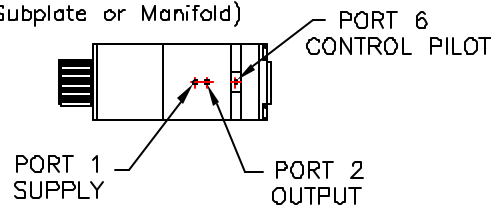
TIMER & SPA1C



TIMER & MFD1A



TIMER PORT LOCATIONS: (W/O Subplate or Manifold)



ELLIS/KUHNKE CONTROLS

DRAWN BY	EJL	7/26/00	SUBPLATE MOUNT PMT SERIES TIMERS	
CHECKED			SIZE	B
ISSUED			FSCM NO.	DWG. NO.
				STYLE 1
				SHEET 2 OF 2