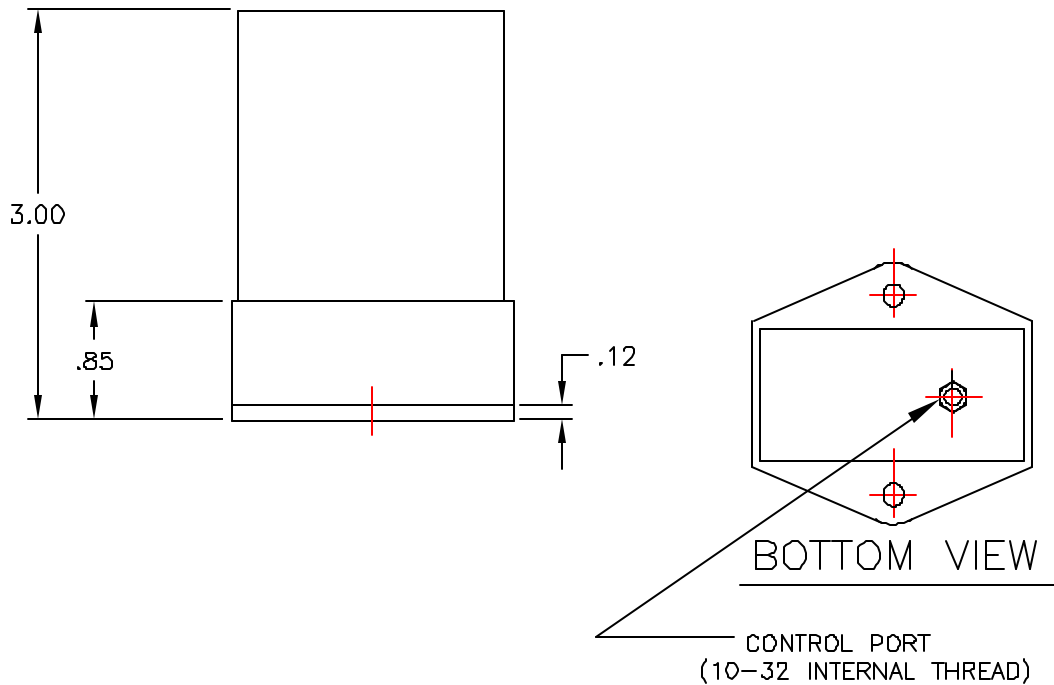
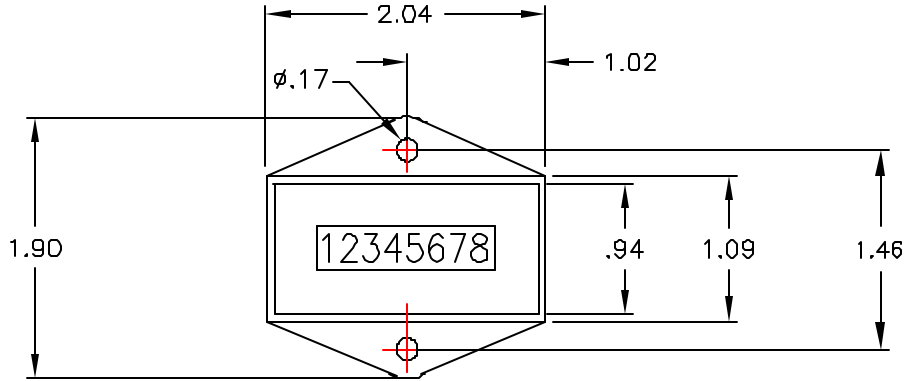


OPERATING PRESSURE RANGE - 25-100 PSI
 MAX COUNT SPEED - 10 CPS
 OPERATING TEMPERATURE RANGE - 32 TO 125° F
 WEIGHT - 3.6 OUNCES
 COLOR - CASE (BLACK)
 NUMBERS (WHITE)

NOTE: CONTROL PRESSURE MUST DROP TO 4.4 PSI MAX BETWEEN PULSES



HOW TO ORDER: AVAILABLE IN THE FOLLOWING MODELS
 APM1800 = NON-RESET MODEL

		ELLIS/KUHNKE CONTROLS ATLANTIC HIGHLANDS, NJ 07716	
		8 - DIGIT APM COUNTER BASE MOUNT VERSION	
DRAWN BY EJJ 10/16/96		SIZE A	DWG. NO. APM1800
MATERIAL	CHECKED		A
FINISH	ISSUED		
DO NOT SCALE DRAWING		SCALE 8:1	SHEET 1 OF 1